

Komet Medical. Sternum Saw Blades.

Komet Medical offers a comprehensive range specially designed for sternotomy. The range comprises reciprocating saw blades

for primary surgery and oscillating saw blades for repeat surgery. The saw blades are available both sterile and non-sterile.

Primary Sternotomy Saw Blades



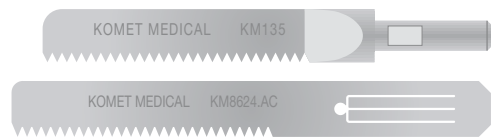
STE = REF Code for sterile packaging



Aesculap/ B.Braun	Material Thickness (mm)	Cutting Thickness (mm)	Usable Length (mm)
----------------------	-------------------------	------------------------	--------------------

KM135 STE KM135	0.60	1.20	34.00
--------------------	------	------	-------

KM8624.AC STE KM8624.AC	0.70	1.35	34.00
----------------------------	------	------	-------



ConMed/ Linvatec Hall	Material Thickness (mm)	Cutting Thickness (mm)	Usable Length (mm)
--------------------------	-------------------------	------------------------	--------------------

KM32 STE KM32	0.60	1.10	32.80
------------------	------	------	-------

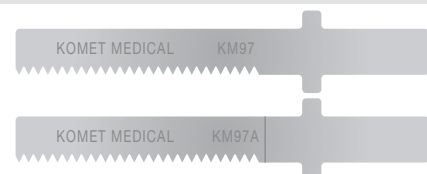
KM34 STE KM34	0.60	1.00	32.80
------------------	------	------	-------



Stryker	Material Thickness (mm)	Cutting Thickness (mm)	Usable Length (mm)
---------	-------------------------	------------------------	--------------------

KM97 STE KM97	0.60	1.05	31.00
------------------	------	------	-------

KM97A STE KM97A	0.80	1.05	31.00
--------------------	------	------	-------



Surgery | Sternum Saw Blades

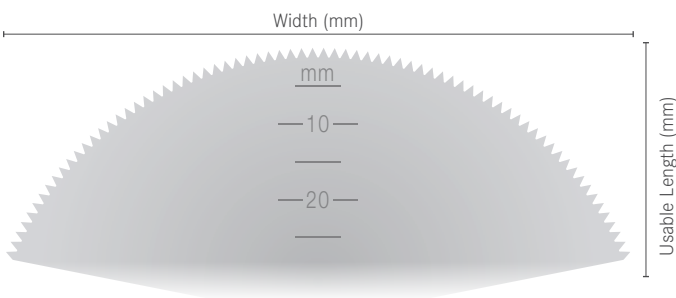
Repeat Sternotomy Saw Blades



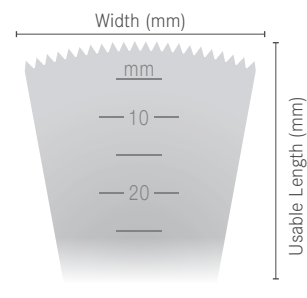
STE =
REF Code for
sterile packaging



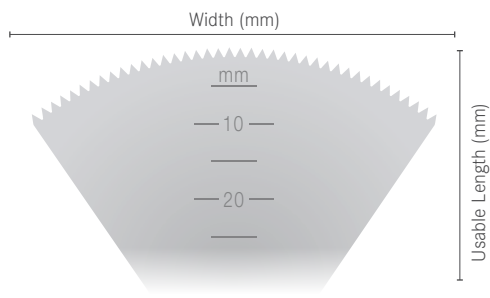
Aesculap 3Ti	REF	Material Thickness (mm)	Cutting Thickness (mm)	Width (mm)	Usable Length (mm)
	KM71125.C81 STE KM71125.C81	0.60	1.00	82.00	30.00
	KM71276.C81 STE KM71276.C81	0.60	1.00	30.50	30.00
	KM71277.C81 STE KM71277.C81	0.60	1.00	53.50	30.00
	KM71278.C81 STE KM71278.C81	0.60	1.00	51.10	40.00
ConMed/ Linvatec Hall	REF	Material Thickness (mm)	Cutting Thickness (mm)	Width (mm)	Usable Length (mm)
	KM71125.C00 STE KM71125.C00	0.60	1.00	82.00	34.00
	KM71276.C00 STE KM71276.C00	0.60	1.00	30.50	30.00
	KM71277.C00 STE KM71277.C00	0.60	1.00	53.50	30.00
	KM71278.C00 STE KM71278.C00	0.60	1.00	51.10	40.00
Stryker	REF	Material Thickness (mm)	Cutting Thickness (mm)	Width (mm)	Usable Length (mm)
	KM71125.C62 STE KM71125.C62	0.60	1.00	82.00	25.00
	KM71276.C62 STE KM71276.C62	0.60	1.00	30.50	25.00
	KM71277.C62 STE KM71277.C62	0.60	1.00	53.50	25.00
	KM71278.C62 STE KM71278.C62	0.60	1.00	51.10	40.00



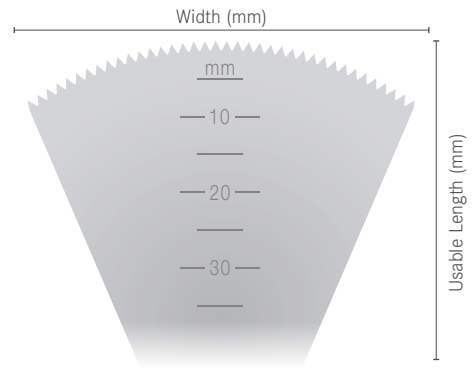
KM71125.C...



KM71276.C...



KM71277.C...



KM71278.C...

